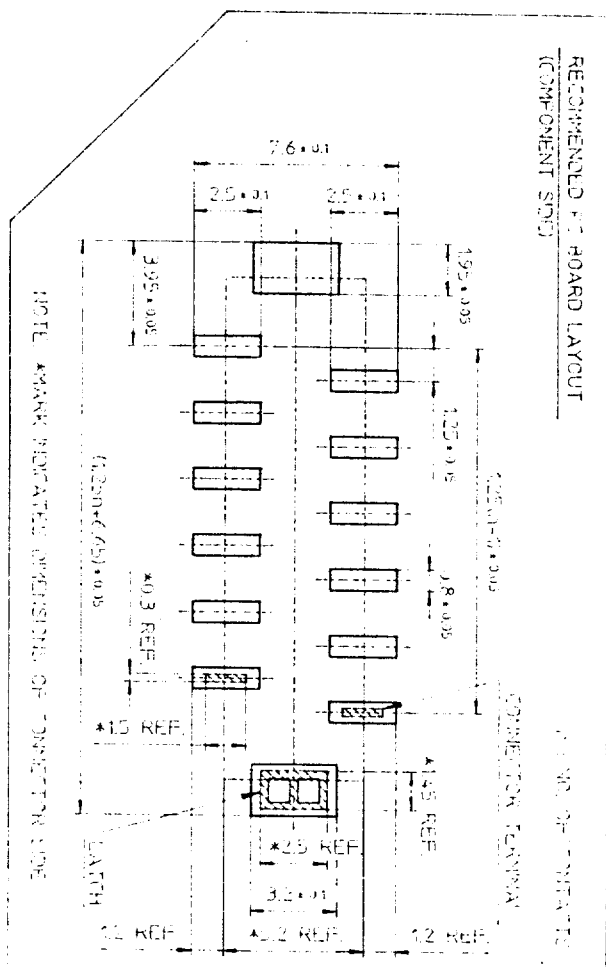
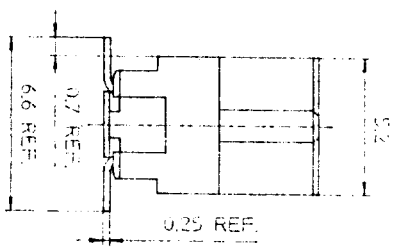
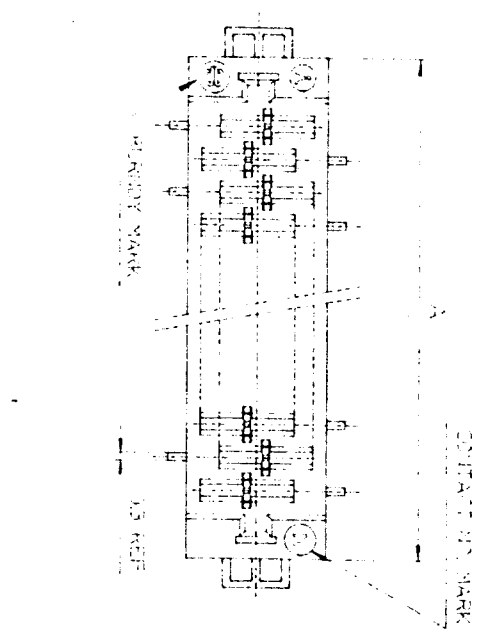
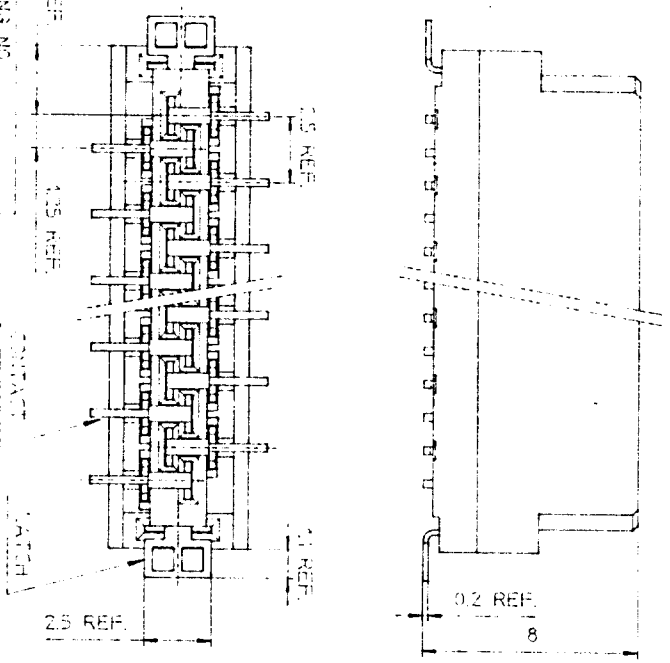


DRAWING NO.
JSC 92195



CAT. NO.	NO. OF CONTACTS	A
BTFR100-3SST	6	11.45
BTFR100-3SST	4	13.45
BTFR100-3SST	10	15.45
BTFR100-3SST	12	18.45
BTFR100-3SST	14	21.45
BTFR100-3SST	16	23.95
BTFR100-3SST	18	26.45
BTFR100-3SST	20	28.95

TOLERANCES
UNLESS OTHERWISE SPECIFIED: 0.02

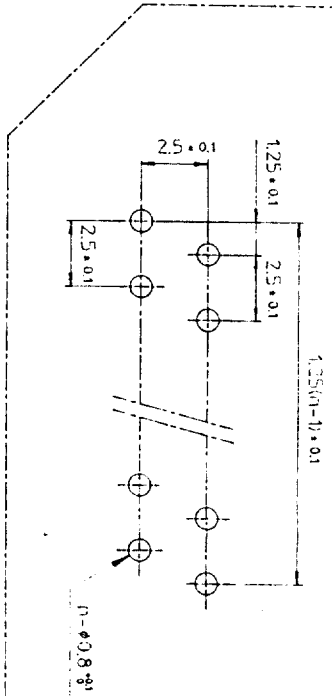
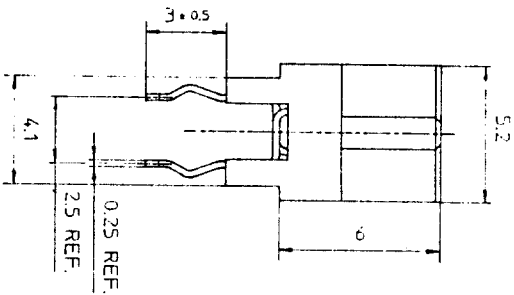
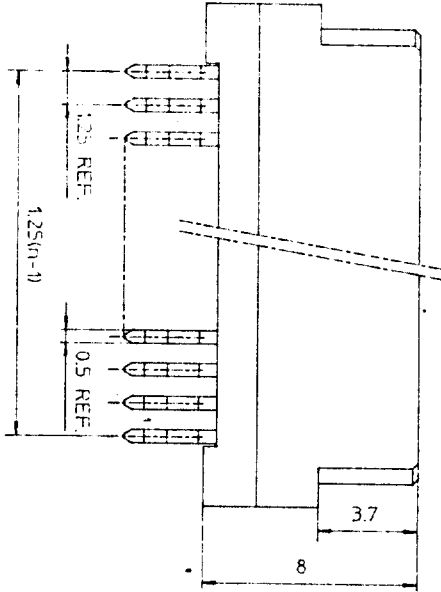
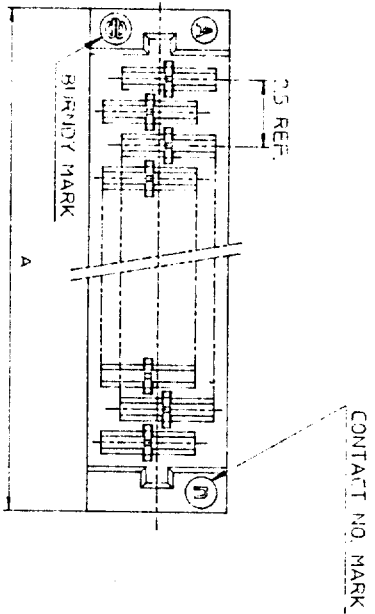
MATERIAL
INSULATOR: PPS RESIN GLASS REINFORCED (UL94V-0)
COLOR: BLACK

CONTACT: PHOSPHOR BRONZE
TIN ALLOY PLATED

LATCH: PHOSPHOR BRONZE
TIN ALLOY PLATED

NOTE:
THIS PRODUCT IS THE CONNECTION CORNER WITH
AUTOMATIC MOUNTING

SCALE	DESIGNED	RECEPTACLE CONNECTION
DIM. IN	DRAWN	CAT. NO.
MATERIAL	CHECKED	BTFR100-3SST
REV. DATE	APPROVED	DRAWING NO.
REFERENCE	DATE	JSC 92195
		FRAMATOME CONNECTORS JAPAN LTD.



RECOMMENDED PC BOARD
 THICKNESS : 1.4 - 1.8
 HOLE PATTERN (COMPONENT SIDE)
 n : NO. OF CONTACTS

TOLERANCES
 UNLESS OTHERWISE SPECIFIED : ±0.3

CAT. NO.	NO. OF CONTACTS (n)	A
BTFN6S-3SB7	6	11.45
BTFN8S-3SB7	8	13.95
BTFN10S-3SB7	10	16.45
BTFN12S-3SB7	12	18.95
BTFN14S-3SB7	14	21.45
BTFN16S-3SB7	16	23.95
BTFN18S-3SB7	18	26.45
BTFN20S-3SB7	20	28.95

n : NO. OF CONTACTS

MATERIAL

INSULATOR : PBT RESIN GLASS REINFORCED (UL94V-0)
 COLOR : BLACK
 CONTACT : PHOSPHOR BRONZE
 TIN ALLOY PLATED

DRAWING NO.

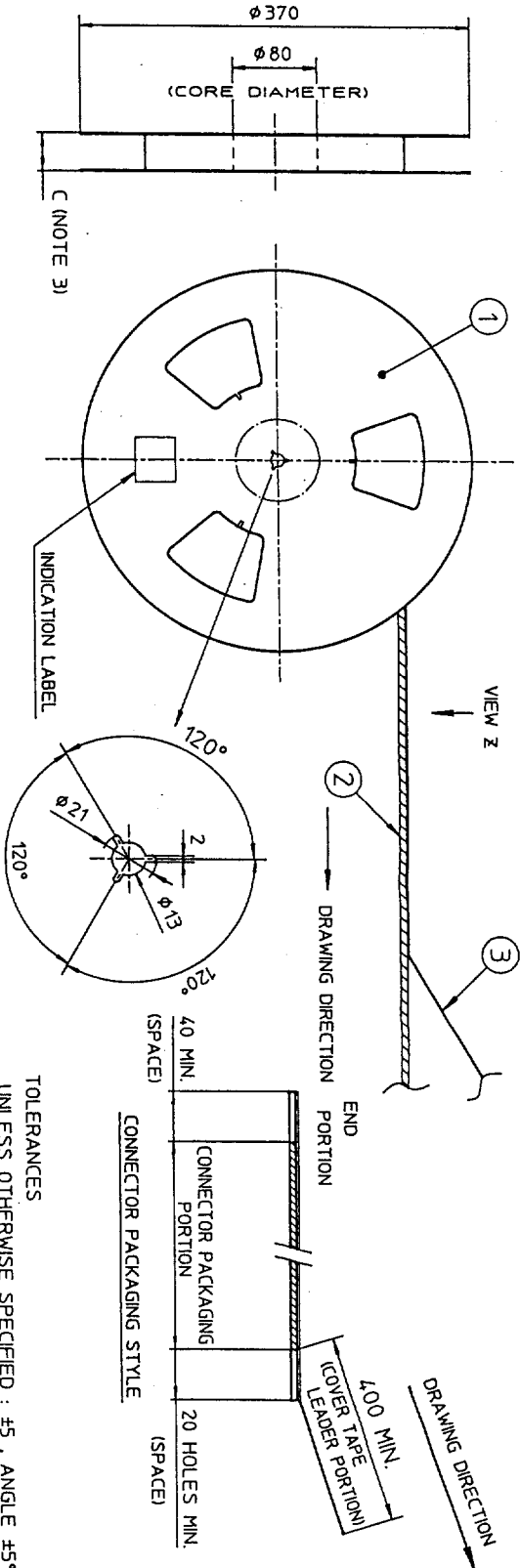
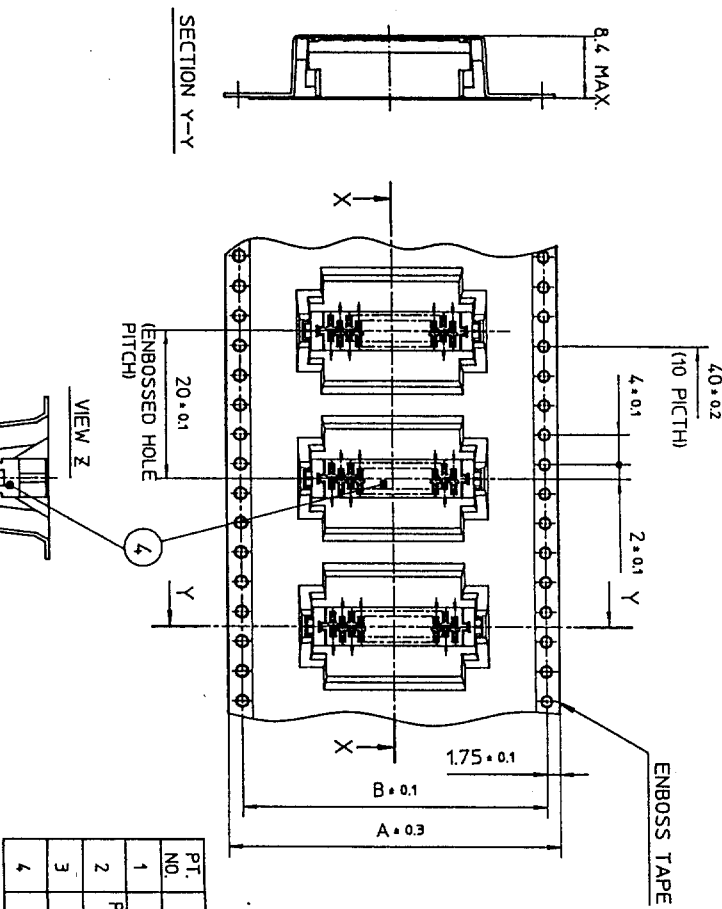
JSC 92194

REV.	DATE	DESCRIPTION	CKD.	SCALE	DESIGNED	M.Koga	RECEPTACLE CONNECTOR (DIP)	
				DIM. IN	CRAWN	M.Iitaka	CAT. NO.	BTFNLLS-3SB7
1	95-6-8	CONTACT SHAPE CHANGED		MATERIAL	CHECKED	M.Koga	DRAWING NO.	JSC 92194
					APPROVED	A.NAKAI		1
					DATE	Feb. 26, 1993	FRAMATOME CONNECTORS JAPAN LTD.	

FILE

DRAWING NO.
JSC 92062

SECTION X-X



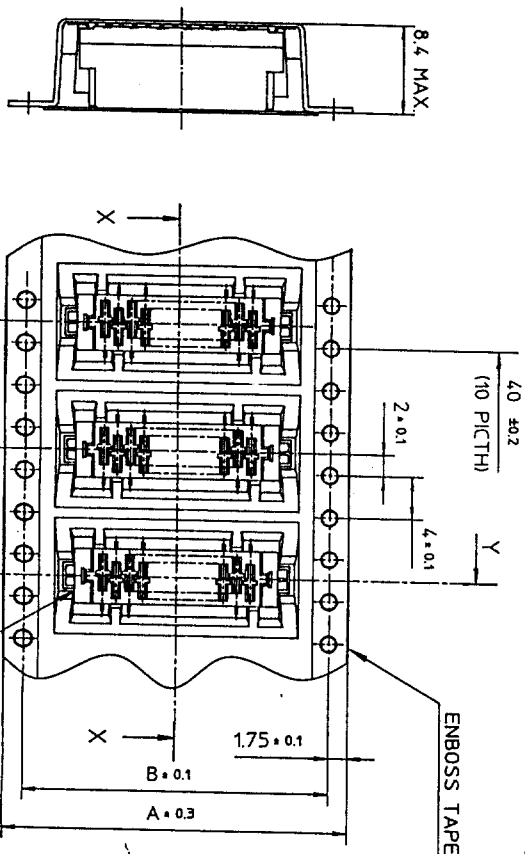
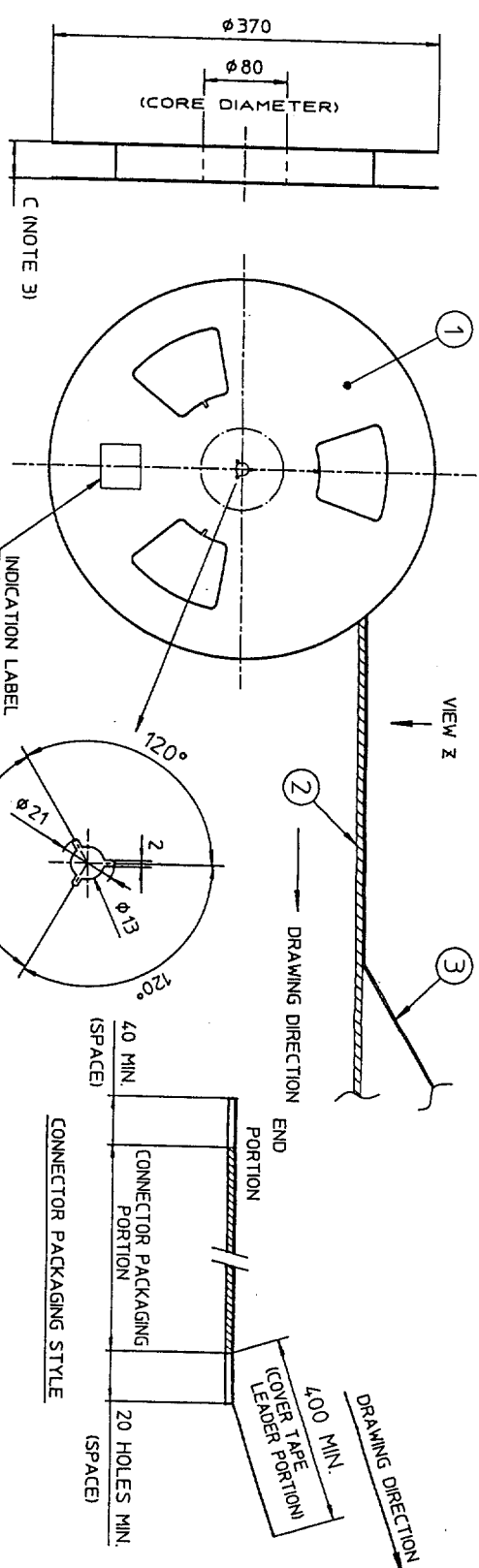
TOLERANCES
UNLESS OTHERWISE SPECIFIED : ± 5 , ANGLE $\pm 5^\circ$

CAT. NO.	NO. OF CONTACT (n)	A	B	C
BTFN4S-3SSTE1	14	44	40.4	48.4
BTFN6S-3SSTE1	16	44	40.4	48.4
BTFN8S-3SSTE1	18	44	40.4	48.4
BTFN20S-3SSTE1	20	44	40.4	48.4

- NOTES
1. THIS IS PLASTIC TAPE PACKAGED CONNECTOR COPES WITH AUTOMATIC MOUNTING (SMT).
 2. SEE JIS C 0806 (PACKING OF ELECTRONIC COMPONENTS ON CONTINUOUS TAPES (SURFACE MOUNTING DEVICES)) FOR SHAPE AND DIMENSIONS OF PLASTIC (EMBOSS) TAPE AND REEL.
 3. C DIMENSION IS PORTION OF THE CORE.

PT. NO.	PARTS NAME	CAT. NO.	MATERIAL	Q. TY	NOTE
1	REEL	---	CARDBOARD	1	COLOR : WHITE
2	PLASTIC (EMBOSS) TAPE	---	PET RESIN	---	COLOR : TRANSPARENCY
3	COVER	---	POLYESTER	---	COLOR : TRANSPARENCY
4	RECEPTACLE CONNECTOR	BTFN...S-3SST	REFER TO JSC 92195	500	---

REV.	DATE	DESCRIPTION	CKD.	SCALE	DESIGNED	DRAWN	CHECKED	APPROVED	DATE	PLASTIC TAPE PACKAGED RECEPTACLE CONNECTOR (BIG SIZE)	
2	'96-7-22	CHANGED DRAWING PORTION.	M.I. <i>Ka</i>	\times	M.Koga	M.Iituka	M.Koga	A.NAKAI	Feb. 26, 1993	CAT. NO. BTFN...S-3SSTE1	
1	'94-4-1	MATERIAL CHANGED (PVC-PET)	A.N	DIM. IN mm						DRAWING NO. JSC 92062 REV. 2	
				MATERIAL						FRAMATOME CONNECTORS JAPAN LTD.	
		REFERENCE								FCI	



CAT. NO.	NO. OF CONTACT (n)	A	B	C
BTFN6S-3SSTE1	6	32	28.4	36.4
BTFN8S-3SSTE1	8	32	28.4	36.4
BTFN10S-3SSTE1	10	32	28.4	36.4
BTFN12S-3SSTE1	12	32	28.4	36.4

TOLERANCES
UNLESS OTHERWISE SPECIFIED : ±5 , ANGLE ±5°

- NOTES
1. THIS IS PLASTIC TAPE PACKAGED CONNECTOR COPES WITH AUTOMATIC MOUNTING (SMT).
 2. SEE JIS C 0806 (PACKING OF ELECTRONIC COMPONENTS ON CONTINUOUS TAPES (SURFACE MOUNTING DEVICES)) FOR SHAPE AND DIMENSIONS OF PLASTIC (EMBOSS) TAPE AND REEL.
 3. C DIMENSION IS PORTION OF THE CORE.

PT. NO.	PARTS NAME	CAT. NO.	MATERIAL	Q. TY	NOTE
1	REEL		CARDBOARD	1	COLOR : WHITE
2	PLASTIC (EMBOSS) TAPE		PET RESIN		COLOR : TRANSPARENCY
3	COVER		POLYESTER		COLOR : TRANSPARENCY
4	RECEPTACLE CONNECTOR	BTFN...S-3SST	REFER TO JSC 92195	800	

SCALE \times			DESIGNED M.Koga	PLASTIC TAPE PACKAGED RECEPTACLE CONNECTOR (SMALL SIZE)	
DIM. IN mm			DRAWN M.Iituka	CAT. NO. BTFN...S-3SSTE1	
MATERIAL			CHECKED M.Koga	DRAWING NO. JSC 92061	REV. 2
REV. DATE DESCRIPTION CKD.			APPROVED A.NAKAI	FRAMATOME CONNECTORS JAPAN LTD.	
REFERENCE			DATE Feb. 26, 1993	FCI	

DRAWING NO. JSC 92061